

THR13

Temperature & Humidity Transmitter for Indoor Type



APPLICATIONS

Features

- LCD display
- Easy to install
- CMOS sensor
- Option RS-485 ModBus RTU

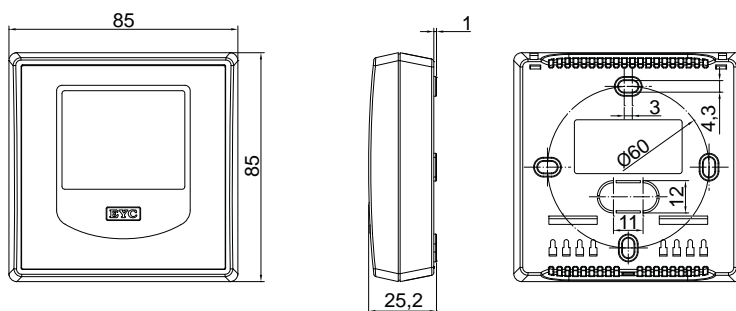
Applications

House / building / HVAC air conditioning control



THR13 -	T	H	6	1 -	30	-	DP
	OUT1 function	OUT2 function	OUTPUT		Temp. range		Option
	T : temp. H : humidity N : non(digital)	T : temp. H : humidity N : non(digital)	6 : 0-10V 7 : 0-5V N : non(digital)		30 : 0~50°C 38 : 0~80°C 40 : 0~100°C 00 : non/digital		N : non D : display P : RS-485

DIMENSION



TECHNICAL SHEET

Sensor Type
Temperature & Humidity CMOS

Measuring Range
Temperature 0~50°C
Humidity 0~100%

Suggestion Working Range
Temperature 5~50°C
Humidity 20~90%

Output
Analog output 0~5V / 0~10V
ModBus RS485
Signal Connection 3-wire
Linear accuracy (at+23°C ; V=24VDC)
Temperature ±0.5°C
Humidity ±5%RH(20~90%RH)
Load resistance(voltage output) ≥10KΩ
warm-up time < 2 min. · stable time 20 mins.

Display range
Display type LCD Module with back light, double line character
..... (up array displays humidity / down array displays temp)
Humidity three-digit numbers and one decimal place
Temperature two-digit numbers and one decimal place
Height of character 17.25mm

Environment
Media measured air
Working temperature / humidity. 5~50°C / 0~95%(non-cond.)
Storage temperature 0~+60°C
Power supply DC 12-24V & AC 24V±10%
Current consumption DC : 30mA / AC : 45mA
Electrical connection signal & communication : 4P connector
Installation wall
Protection degree IP20
Electric protection ■Polarity protection ■Short circuit
Certification CE
Case / Weight PC(PC-110) / 86g

CONNECTION DIAGRAM

